

PM Research Inc.
4110 Niles Hill Road
Wellsville, NY 14895

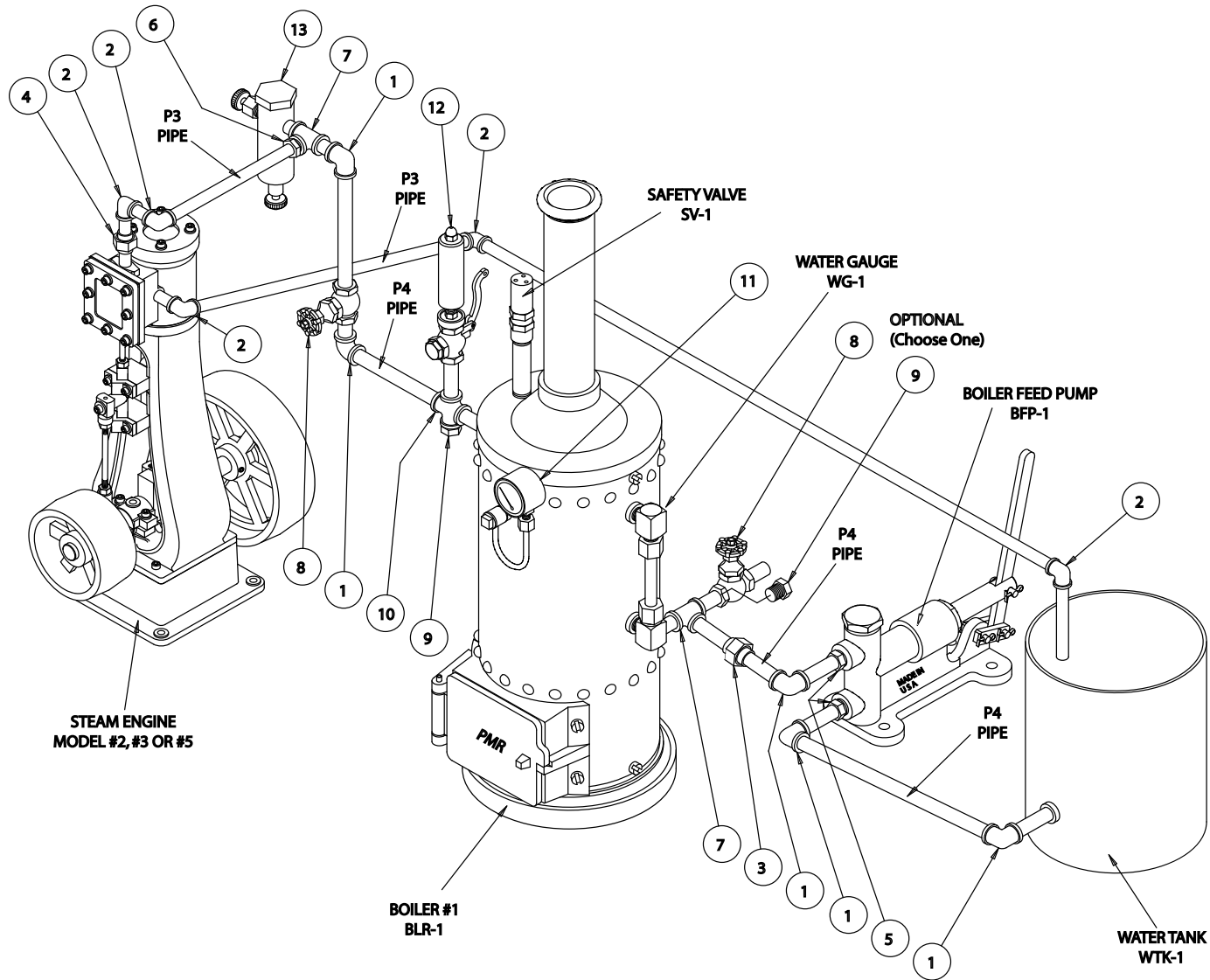
PIPING ARRANGEMENT

TYPICAL PIPING ARRANGEMENT TO CONNECT

A MODEL #2, #3 OR #5 STEAM ENGINE TO THE BLR-1 VERTICAL BOILER, BFP-1 BOILER FEED PUMP AND WTK-1 WATER TANK.

PIPE LENGTHS AND EQUIPMENT MAY BE RE-ARRANGED TO SUIT YOUR INDIVIDUAL APPLICATION.

SYSTEM IS SHOWN ARRANGED IN THIS FASHION ONLY FOR CLARITY OF PRESENTATION.



A/R	3/16 PIPE - Length to suit	P3	
A/R	1/4 PIPE - Length to suit	P4	
13	1 LUBRICATOR	LUB-1	
12	1 STEAM WHISTLE	SW-4	
11	1 PRESSURE GAUGE W/SYPHON	PG-1S	
10	1 1/4 CROSS	PX4M	
9	2 1/4 PIPE PLUG (1 Optional)	PP4M	
8	2 1/4 GLOBE VALVE (1 Optional)	GV4	
7	2 1/4 TEE	PT4M	
6	1 1/4 - 3/16 REDUCER	PR4M	
5	2 5/16 - 1/4 REDUCER	PR5M	
4	1 3/16 UNION	PU3M	
3	1 1/4 UNION	PU4M	
2	5 3/16 90° ELL	PL3M	
1	5 1/4 90° ELL	PL4M	
ITEM	QTY	DESCRIPTION	PART NO